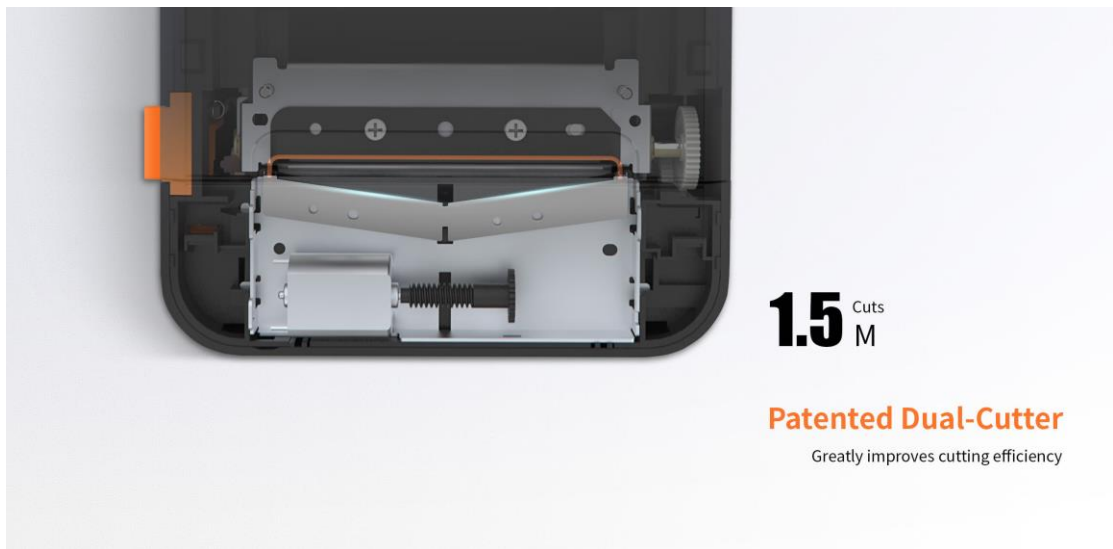




TP80K

**Cost-effective 80mm
Thermal POS Receipt Printer**



1.5 Cuts
M

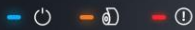
Patented Dual-Cutter

Greatly improves cutting efficiency



**Equipped with three at-a-glance
LEDs for visualizing printer status**

Built-in beeper co-works with LED lights to
indicate printer status



Multiple Interfaces

TP80K can connect with other equipment through USB, Ethernet, Serial and Cash drawer interfaces



Support Multiple Operation Systems

Windows 7/8/10
Windows Server 2008/2012/2016
Linux
Javapos
OPOS
macOS



Remote Upgrade

Upgrading firmware via Ethernet. You can use network utilities to perform remote upgrades.



Applied Fields

Supermarkets, Catering, Retail, etc



**Exquisite and
compact design**

Wall mounted installation applicable

